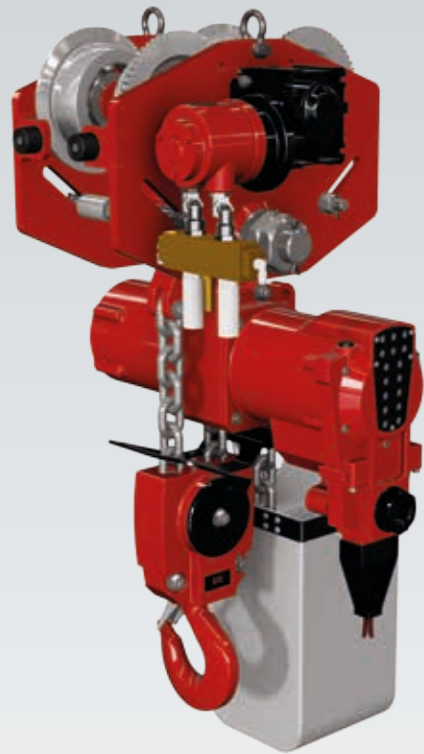
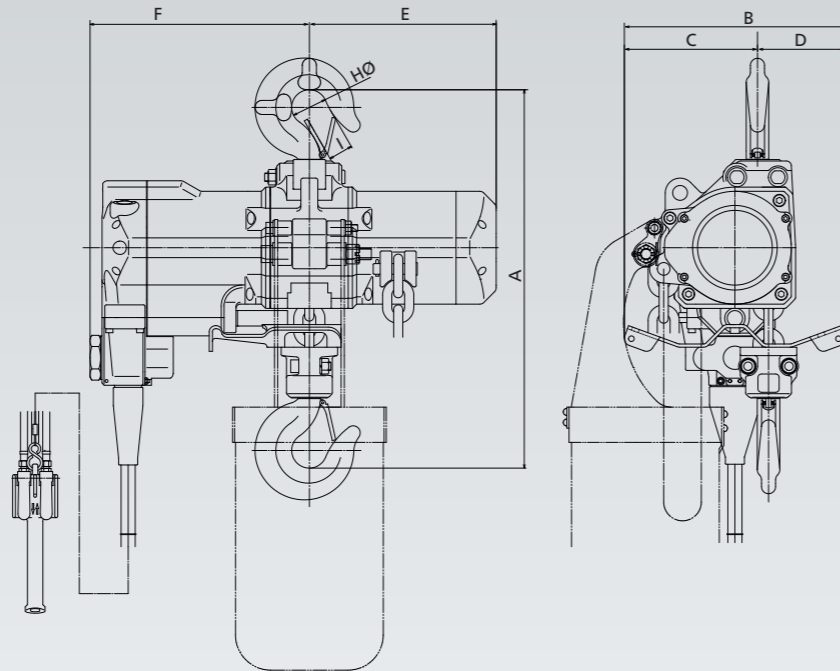


**Hoist with trolley**



**Dimensions in mm**



Model	A	B	C	D	E	F	HØ	I
TMH-3000	537	314	189	125	265	311	50	34
TMH-6000	742	371	245	126	265	311	65	42

**For the complete overview of our hoists**



ask for our special hoist catalogue  
**RED ROOSTER AIR CHAIN HOISTS**



or visit our website  
**WWW.RAMI-YOKOTA.COM**

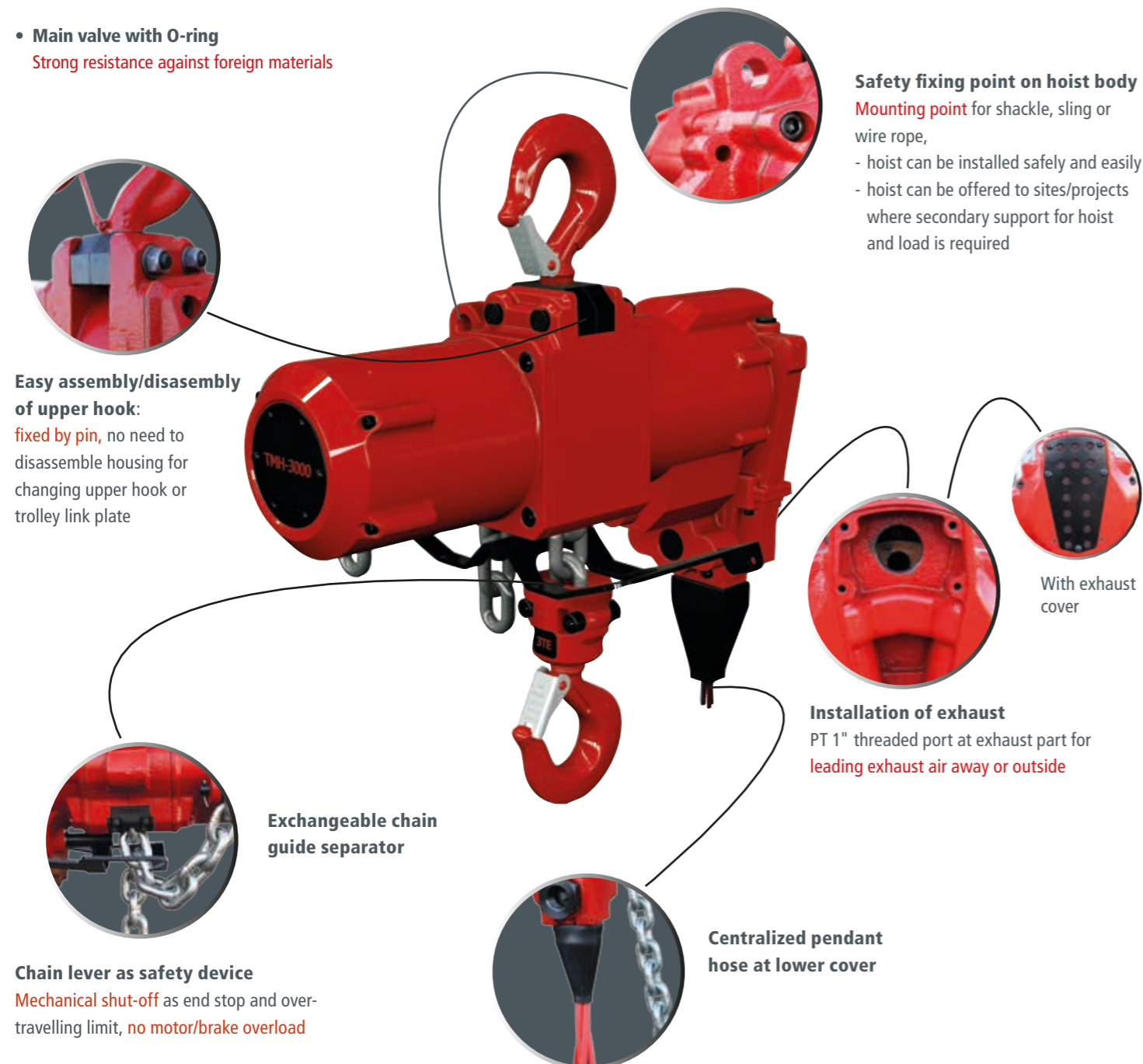
**3 TONNE HOIST TMH-3000**  
Highest lifting speed in the world for this class!!!





## NEW Features

- **Increase of lifting speed**  
Lifting speed with rated load: **5,4 m/min**  
(TCR model 2,8 m/min)
- **Noise level reduction**  
Noise level **80dBA** and below  
(TCR model 88dBA)
- **Lowest headroom clearance**  
**Only 537 mm!**
- **Improvement of durability for gear part**  
- Group mechanism: **M4 (800h)**  
- **Highly efficient 3 step planet gear**  
- Reduced heat generation
- **Robust mounting point for chain slack end and chain container**  
**M16 bolt**
- **Slow speed operation**  
**Lifting speed of 0,59 m/min** with rated load for precise lifting and lowering
- **Main valve with O-ring**  
**Strong resistance against foreign materials**



# 3 TONNE HOIST TMH-3000

## Highest lifting speed in the world for this class!!!

The NEW RED ROOSTER TMH series air chain hoists has the highest lifting speed with the lowest headroom on the hoist market. With M4 classification of mechanism this hoist is extremely durable. This hoist will guarantee the continuity of your process. The TMH hoists are designed with a full load supporting eye for installation and securing the hoist (during lifting operation) for extra safety.

#### Standard features:

- Precise variable speed control (cord- and pendant control)
- Optimum control of the load, very precise positioning
- Main air shut off valve
- Mechanical end stop system
- Load limiter built-in without loss of headroom
- Low noise level (80 dBA)
- Working air pressure 0,4 - 0,63 MPa (4-6,3 bar)
- Piped away exhaust air

#### Recommended:

SMC air treatment unit: AC60-F10DM-8-B

#### Optional features:

- Marine paint specification
- Paint systems from C2 - Industrial to C5 - Offshore specification (red finish as standard, other RAL colours available on request)
- ATEX certification:  
II 3 GD c IIA T4  
II 2 GD c IIB T4  
II 2 GD c IIC T4
- Radio control pendant for electro pneumatic controls
- Control systems
- Chain collectors (PVC, galvanised or stainless steel)
- Various types of hook or clevis available
- Air supply systems and valves
- In house design for "specials"
- Festoon systems

#### Type

Model*	WLL	Lifting speed with load	Lifting speed without load	Lowering speed with load
TMH-3000C   TMH-3000PE	3.000 kg	5,4 m/min	10,8 m/min	10,2 m/min
TMH-6000C   TMH-6000PE	6.000 kg	2,7 m/min	5,4 m/min	5,1 m/min

Model*	Air consumption lifting	Air consumption lowering	Air connection	Minimum hose diam
TMH-3000C   TMH-3000PE	56 l/sec	68 l/sec	3/4" BSPT	3/4" hose
TMH-6000C   TMH-6000PE	56 l/sec	68 l/sec	3/4" BSPT	3/4" hose

Model*	Working pressure	Weight with 3m hol	Additional metre hol	Chain falls
TMH-3000C   TMH-3000PE	4 - 6,3 bar	99	3,8 kg	1 (13 x 36 mm)
TMH-6000C   TMH-6000PE	4 - 6,3 bar	124	7,6 kg	2 (13 x 36 mm)

\*C = Cord control / P = Pendant control